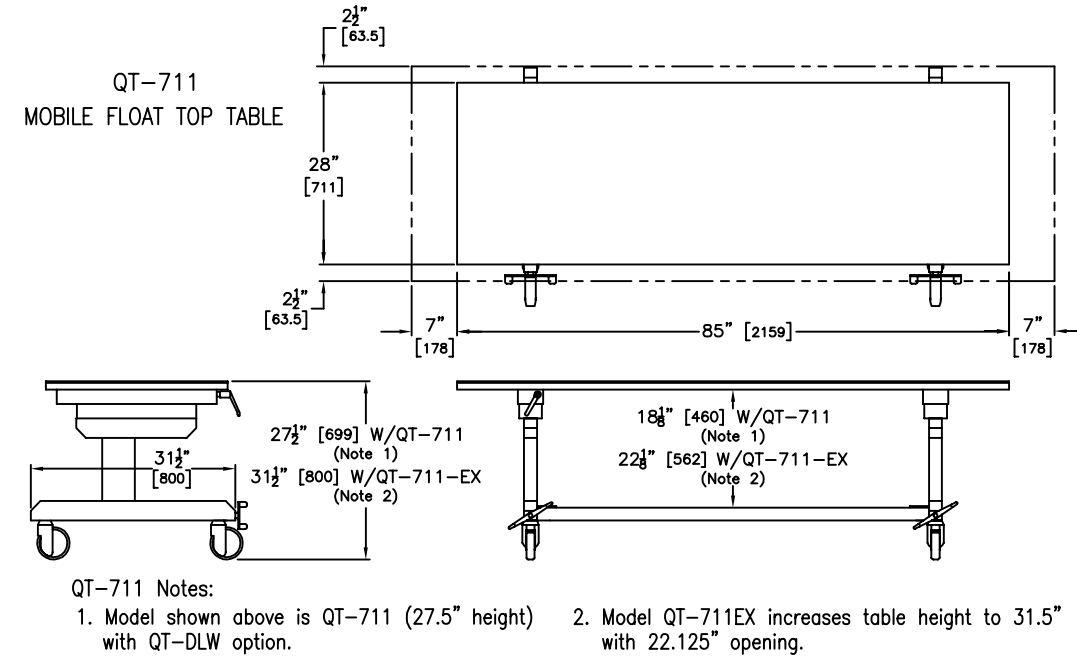
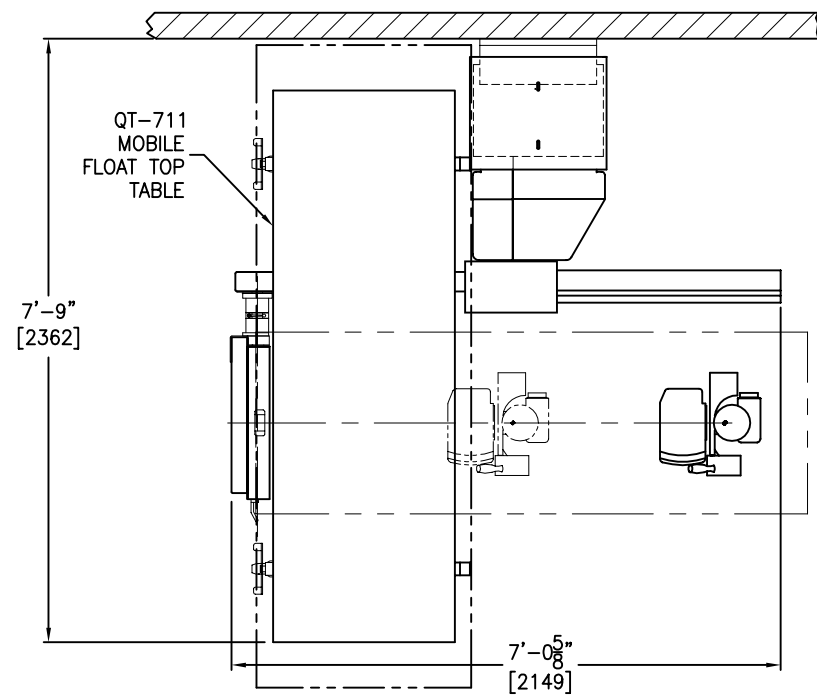
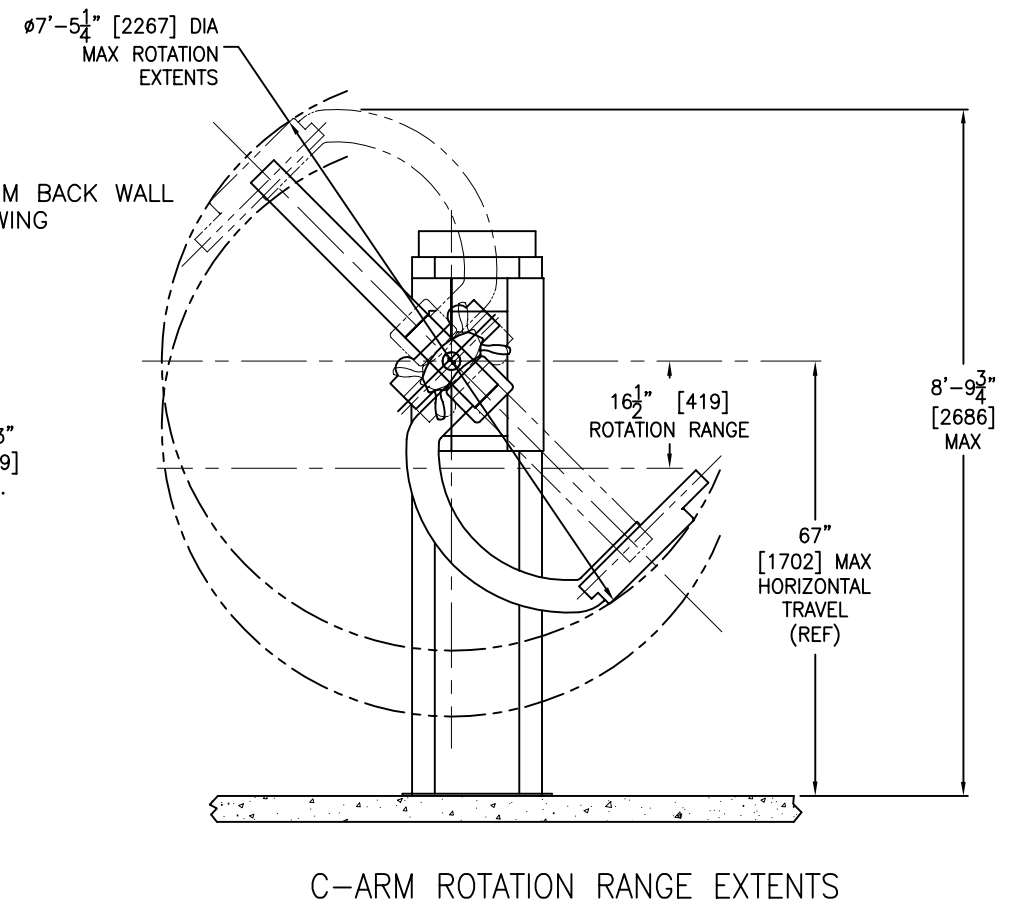
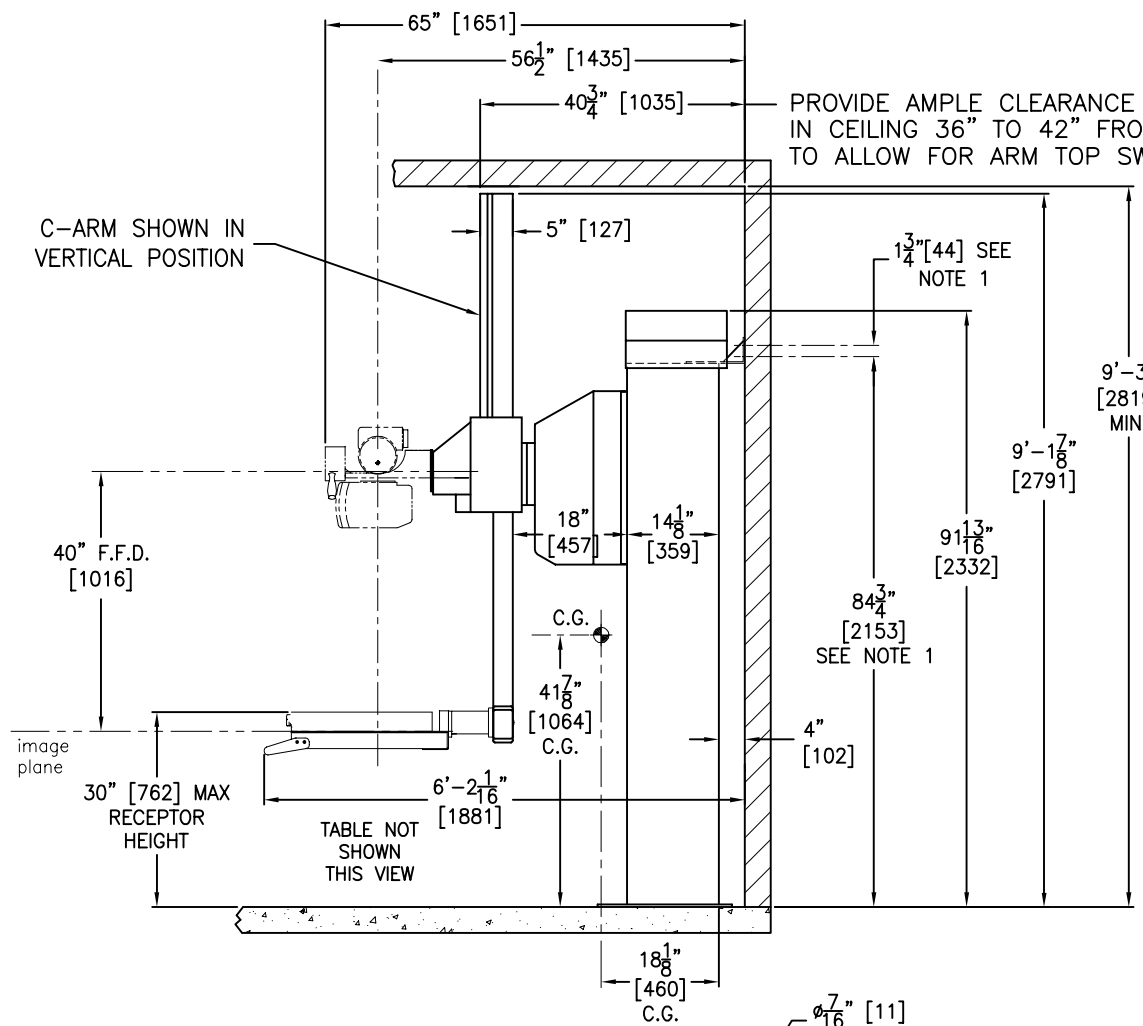
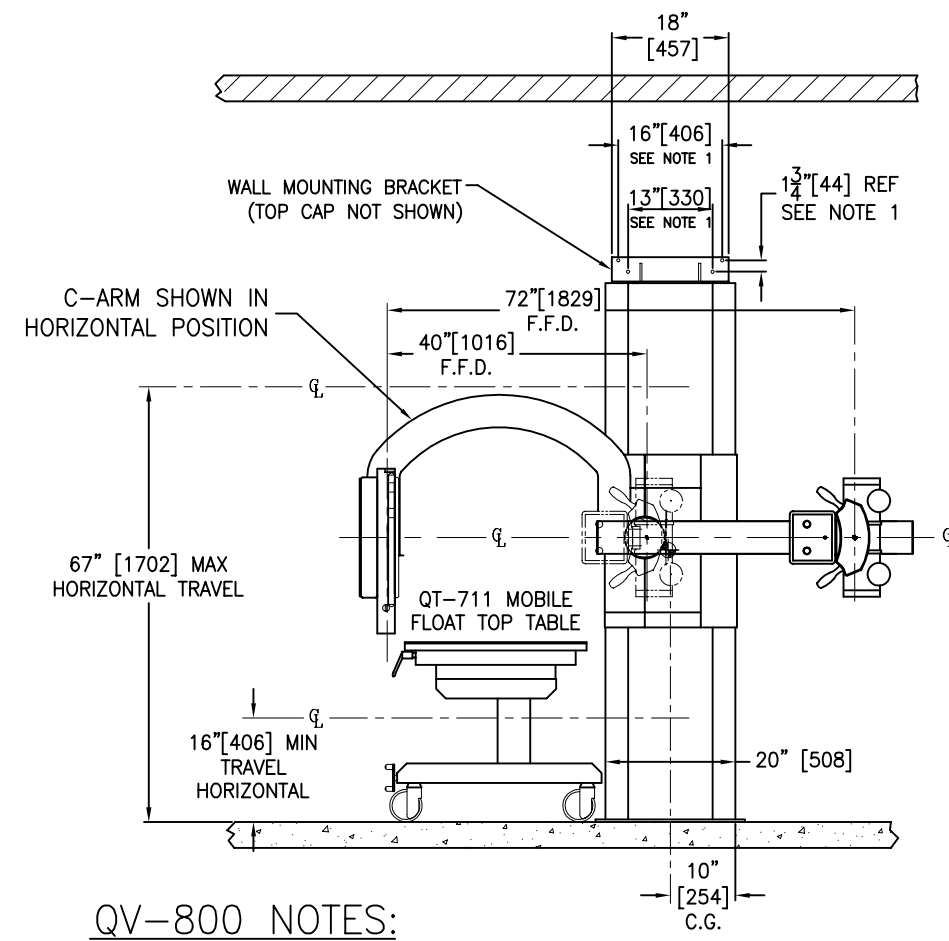


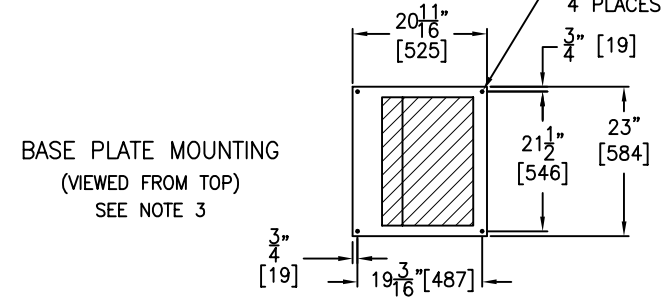
REVISIONS			
REV	DESCRIPTION	DATE	DRN BY:
A	RELEASED	12-20-02	DW
B	84-3/4" WAS 82-1/2"; 67" MAX WAS 64" MAX; 16" MIN WAS 17" MIN; ADDED: 91-3/4", 30" MAX RECEPTOR HEIGHT.	1-31-03	DW
C	ADDED NOTE DESCRIBING PULL FORCE OF 400 LBS.	2-7-03	DW
D	ADDED NOTE 3 AND BASE PLATE MOUNTING.	2-10-03	DW
E	CLARIFIED C.G. LOCATION; CORRECTED MOBILE TABLE DIMS.	2-14-03	DW
F	ADDED WEIGHT (NOTE 2).	3-26-03	DW
G	ADDED METRIC MEASUREMENTS.	3-28-03	DW
H	UPDATED DIMENSIONS & VIEW OF C-ARM.	4-4-03	DW
J	RESTRUCTURED DIMENSIONS; 16 1/2" ROTATION RANGE WAS 10 1/8". ADDED HEIGHT INFORMATION TO QT-711 MOBILE TABLE.	4-16-03	DW
K	ADDED C-ARM TOP LOCATION FOR CEILING MODIFICATION PURPOSES.	4-25-03	DW



QT-711 Notes:  
 1. Model shown above is QT-711 (27.5" height)  
 2. Model QT-711EX increases table height to 31.5" with QT-DLW option.



- QV-800 NOTES:**
1. WALL MOUNTING POINT MUST BE CAPABLE OF SUPPORTING 400 LBS (181.4 kg). PULL FORCE. SUFFICIENT STRUCTURAL SUPPORT MUST BE PROVIDED. (CONSULT INSTALLATION MANUAL FOR ROOM CONSTRUCTION REQUIREMENTS).
  2. WEIGHT OF UNIT: APPROX. 1,850 lbs (839.16 kg).
  3. SECURE FLOOR MOUNTING PLATE WITH FOUR (4) 1/2" DIA. (12.7) CEMENT ANCHORS.
  4. DIMENSIONS SHOWN ARE CURRENT AND ACCURATE BUT ARE SUBJECT TO CHANGE AT THE DISCRETION OF QUANTUM MEDICAL IMAGING FOR IMPROVEMENTS IN DESIGN FORM, FIT OR FUNCTION.
  5. DIMENSIONS IN BRACKETS [ ] ARE IN MILLIMETERS.



PROPRIETARY  
 THIS DOCUMENT EMBODIES PROPRIETARY RIGHTS OF QMI LLC. IT IS FURNISHED FOR REFERENCE ONLY. ALL OTHER USE IS PROHIBITED. COPYRIGHT © 2003 QMI

DRAWN BY DON WHITE	DATE 12-20-02	Quantum Medical Imaging, LLC	
CHECKED BY		TITLE C-ARM VARIABLE SID SYSTEM	
ENG APPROVAL		MODEL NOS. QV-800	DWG/PART NO DC80-032
QA APPROVAL		SCALE 1/4" = 1'-0"	REV K
MFG APPROVAL		DWG CAT DOCUMENTATION	SHEET 1 OF 1